



1DM401



Actual product appearance may vary.

Snap-in Panel Mount Switch, Single Pole Double Throw (SPDT) Circuitry, 10 A at 277 Vac, Finger Grip Plunger Actuator, Silver Contacts, Quick Connect Termination

Features

- Attractive, rugged snap-in panel mount design - easy installation
- Choice of momentary, alternate push-pull or pull-to-charge operation
- Quick-connect terminals
- Expected mechanical life: 1 million operations, 95% survival
- UL recognized file #E22779, CSA certified file #LR4442

Potential

Applications

- Appliance door lights
- Door interlocks
- Stop/start switches

Description

The MICRO SWITCH™ DM/DP Series are snap-action switches in basic and manual configurations. They have quick-connect terminals and snap-in, panel mount housings for ease of installation. They include momentary and alternate actions, and single- or double-pole. The DM accept a button for manual operation. The DP have plungers for basic operation.

Product Specifications	
Switch Type	Snap-in Panel Mount (0.55 in x 1.12 in panel cutout)
Sealed	No
Ampere Rating	10 A
Circuitry	Single Pole Double Throw (SPDT)
Actuator	Finger Grip Plunger
Termination	Quick Connect
Operating Temperature Range	-37 °C to 82 °C [-35 °F to 180 °F]
Voltage	277 Vac
Approvals	CSA,UL
Contact Type	Silver

Operating Force (O.F.)	4,17 N [15 oz] max.
Overtravel (O.T.)	13,2 mm [.520 in] min.
Free Position (F.P.)	17,8 mm [0.700 ± 0.030 in] max.
Housing Material	Polyester
CE mark	No
UL File #	E12252
CSA File #	LR4442
Agency Approvals and Standards	UL/CSA
Recommended For	Door Status Indication
Availability	Global
Series Name	DM/DP

MICRO SWITCH
a Honeywell Division

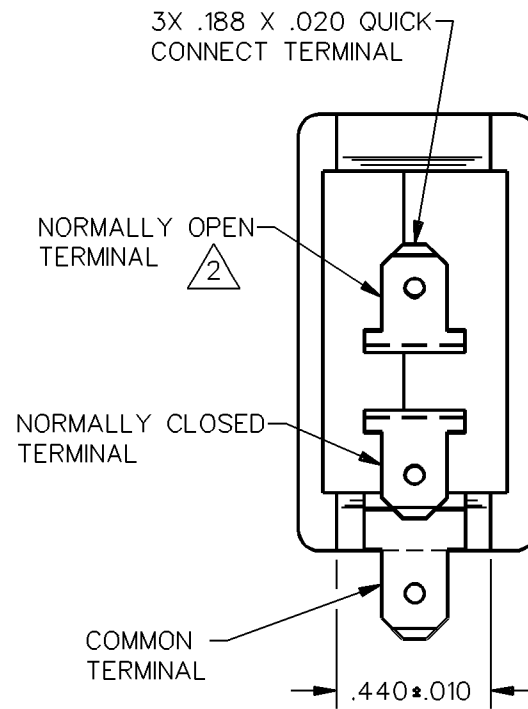
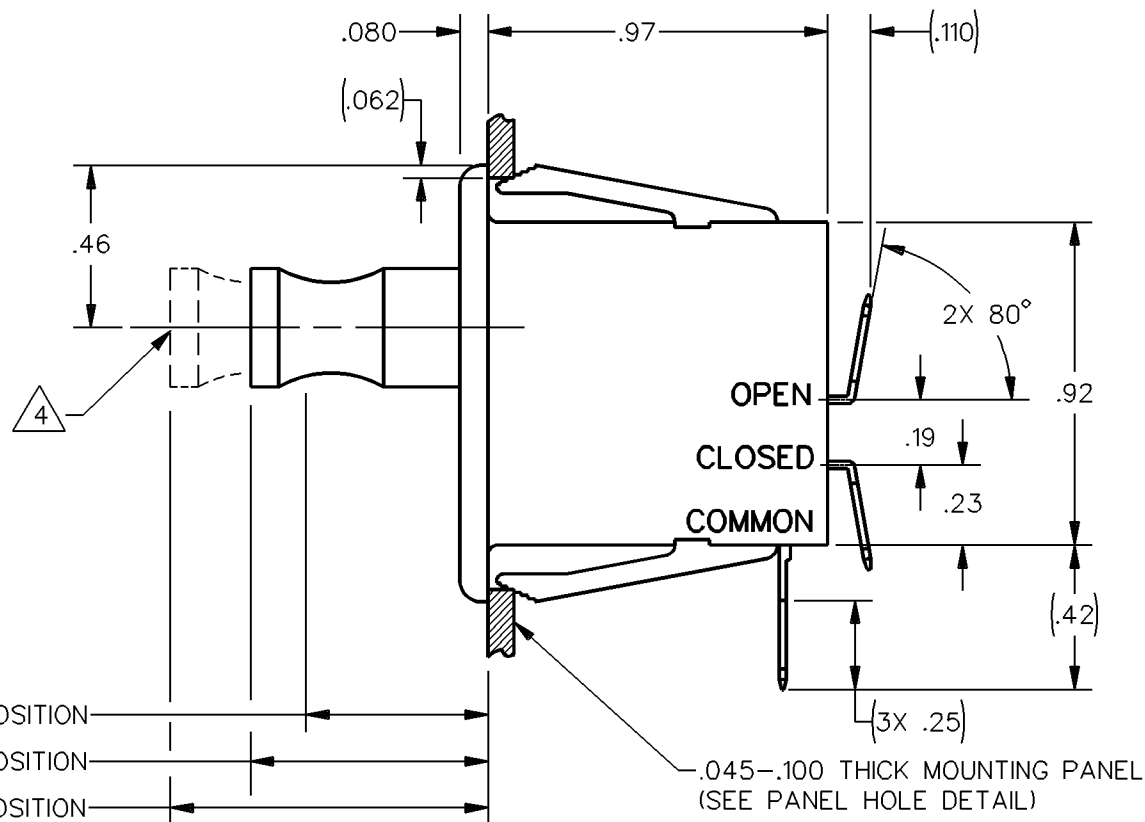
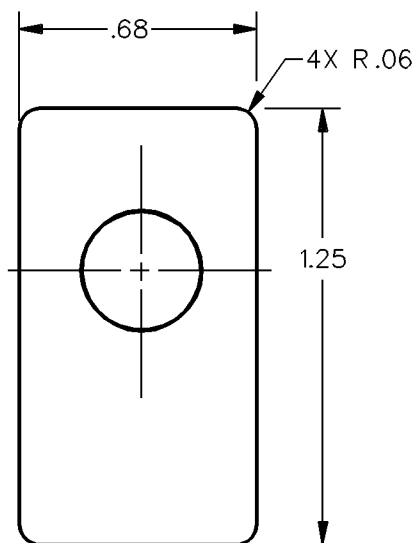
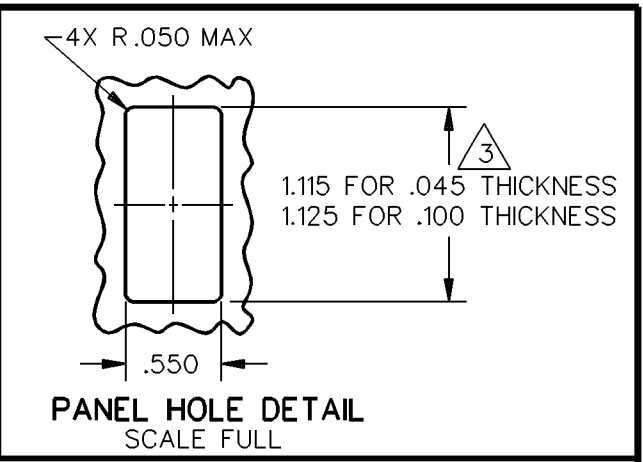
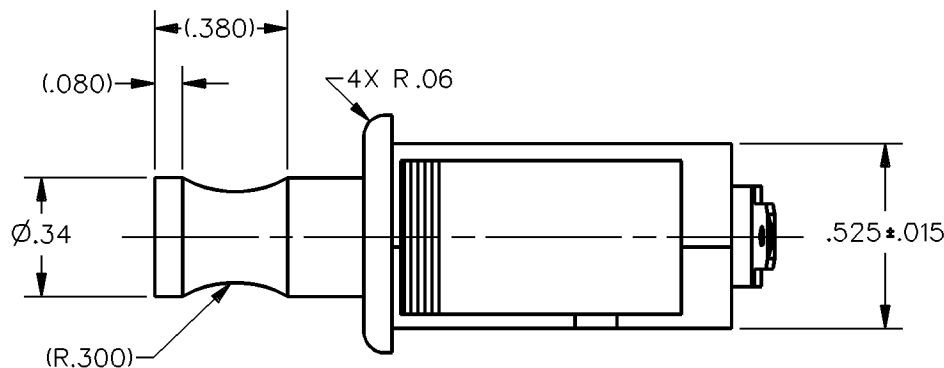
FED. MFG. CODE 91929

SWITCH - BASIC

CATALOG LISTING

1DM401

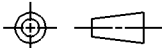
CATALOG LISTING
1DM401
REPLACES
RELEASE NO. PR-931
ISSUE
M
5
CHECK
REVISIONS
A CO-72328
DHD
20 JUL 92
CHECK
DRAWN
DHD
20 JUL 92
DMM/CAD



.520 MAX FULL OVERTRAVEL POSITION
.700 ± .030 FREE POSITION
.930 MAX EXTENDED POSITION

THIS DRAWING COVERS A PROPRIETARY ITEM AND IS THE PROPERTY OF MICRO SWITCH, A DIVISION OF HONEYWELL. THIS DRAWING IS NOT TO BE COPIED OR USED WITHOUT THE APPROVAL OF MICRO SWITCH

THIRD ANGLE PROJECTION



SCALE 2 TO 1

DO NOT SCALE PRINT

UNLESS OTHERWISE SPECIFIED TOLERANCES ARE

ONE PLACE	(.0)	± .030
TWO PLACE	(.00)	± .015
THREE PLACE	(.000)	± .005
ANGLES		± 5°

WEIGHT

CHARACTERISTICS

OPERATING FORCE - - - - - 15 OZ MAX

ELECTRICAL DATA

CONTACT ARRANGEMENT

S P D T

L181

10A 1/2HP 125, 250 OR 277 VAC



NOTES

- 1 - WHITE PLASTIC CASE AND PLUNGER
- 2 FLAG STYLE QUICK CONNECT RECEPTACLE REQUIRED FOR NORMALLY OPEN TERMINAL IF SWITCH IS WIRED BEFORE MOUNTING
- 3 NOMINAL CUTOUT DIMENSION FOR PANELS BETWEEN .045 AND .100 SHOULD BE INTERPOLATED BETWEEN 1.115 AND 1.125
- 4 PUSH TO OPERATE - MOMENTARY, PULL TO OPERATE - MAINTAINED

ANSI Y14.5M-1982 APPLIES